

PRO-ATT ... dB-25-3

Attenuator 25 W

- This series includes 3 dB, 6 dB, 10 dB, 20 dB and 30 dB attenuators.



DESCRIPTION

- This series of attenuators has very low SWR and attenuation flatness and is especially suitable for use with:
 - Coaxial Transmission Lines
 - Power Monitors
 - Watt Meters
- The attenuators have a finish of black anodization.

ORDERING DESIGNATIONS

TYPE	PRODUCT NO.
PRO-ATT 3 dB-25-3-N(f)	200001732
PRO-ATT 6 dB-25-3-N(f)	200001750
PRO-ATT 10 dB-25-3-N(f)	200001751
PRO-ATT 20 dB-25-3-N(f)	200001724
PRO-ATT 30 dB-25-3-N(f)	200001752
PRO-ATT 3 dB-25-3-7/16(f)	200002544
PRO-ATT 6 dB-25-3-7/16(f)	200002545
PRO-ATT 10 dB-25-3-7/16(f)	200002541
PRO-ATT 20 dB-25-3-7/16(f)	200002542
PRO-ATT 30 dB-25-3-7/16(f)	200002543

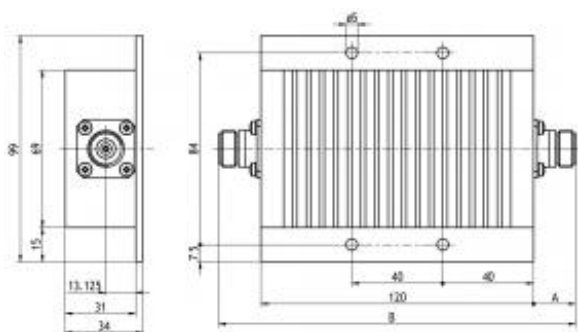
SPECIFICATIONS

ELECTRICAL	
MODEL	PRO-ATT ... dB-25-3
FREQUENCY RANGE	DC - 3 GHz
MAX. INPUT POWER	25 W
ATTENUATION	See table below
POWER RATING REMARKS	Unrestricted airflow necessary for operating at maximum power
IMPEDANCE	Nom. 50 Ω
SWR	<1.25

MECHANICAL	
TEMP. RANGE	-35°C → +70°C
CONNECTORS	N-female or 7/16 DIN-female
DIMENSIONS (L x W x H)	120 x 100 x 34 mm / 4.72 x 3.94 x 1.35 in.
WEIGHT	Approx. 650 g / 1.43 lb.
MOUNTING	ø5 mm (4 holes)

MODEL	ATTENUATION	ATT. DEVIATION	
		DC - 2.0 GHz	2.0 - 3.0 GHz
PRO-ATT 3 dB-25-3	3 dB	+/-0.5 dB	+/-1.0 dB
PRO-ATT 6 dB-25-3	6 dB	+/-0.5 dB	+/-1.0 dB
PRO-ATT 10 dB-25-3	10 dB	+/-0.75 dB	+/-1.5 dB
PRO-ATT 20 dB-25-3	20 dB	+/-0.75 dB	+/-1.5 dB
PRO-ATT 30 dB-25-3	30 dB	+/-0.75 dB	+/-1.5 dB

MOUNTING DETAILS



DIMENSIONS

	A	B
PRO-ATT ... dB-25-3-N(f)	18.5 mm (0.73 in.)	157 mm (6.18 in.)
PRO-ATT ... dB-25-3-7/16(f)	21.5 mm (0.85 in.)	163 mm (6.42 in.)